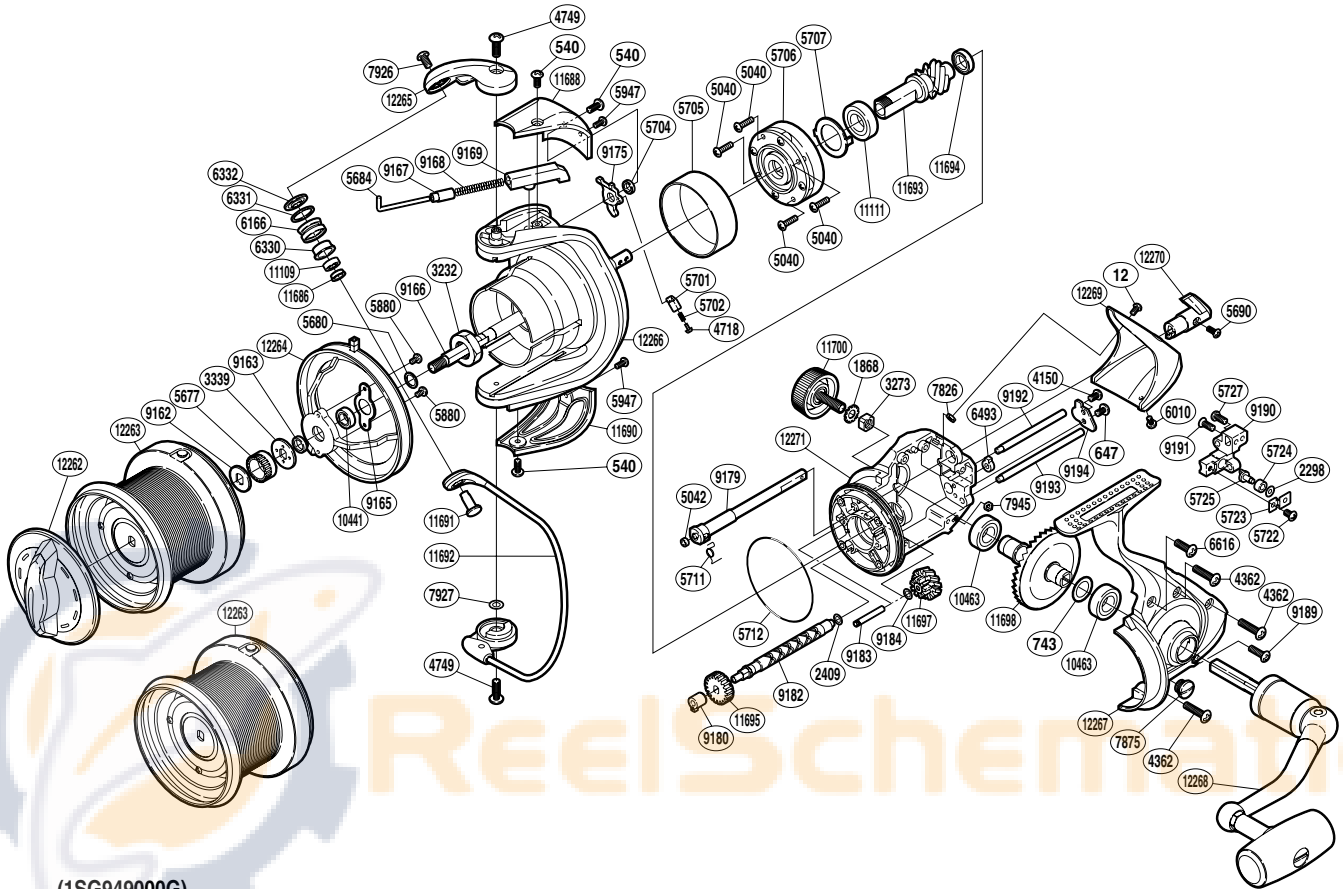


# SHIMANO

## POWER AERO S A-RB

## PA-10000XSA



(1SG949000G)

| Part No. | Description                | Part No. | Description                 | Part No. | Description             |
|----------|----------------------------|----------|-----------------------------|----------|-------------------------|
| RD 0012  | Screw                      | RD 5725  | Oscillating Pawl            | RD 9191  | Screw                   |
| RD 0540  | Screw                      | RD 5727  | Screw                       | RD 9192  | Oscillating Guide B     |
| RD 0647  | Screw                      | RD 5880  | Screw                       | RD 9193  | Oscillating Guide A     |
| RD 0743  | Washer                     | RD 5947  | Screw                       | RD 9194  | Worm Shaft Retainer     |
| RD 1868  | Handle Lock Washer         | RD 6010  | Screw                       | RD10441  | Ball Bearing            |
| RD 2298  | Spacer                     | RD 6166  | Line Roller                 | RD10463  | Ball Bearing            |
| RD 2409  | Spacer                     | RD 6330  | Line Roller Bushing         | RD11109  | Ball Bearing            |
| RD 3232  | Rotor Nut                  | RD 6331  | Line Roller Spacer          | RD11111  | Ball Bearing            |
| RD 3273  | Handle Screw Lock          | RD 6332  | Line Roller Washer          | RD11686  | Bearing Spacer          |
| RD 3339  | Spool Support B            | RD 6493  | Worm Bushing (rear)         | RD11688  | Bail Spring Cover       |
| RD 4150  | Screw                      | RD 6616  | Screw                       | RD11690  | Bail Hold Support Guard |
| RD 4362  | Screw                      | RD 7826  | Nut                         | RD11691  | Line Roller Support     |
| RD 4718  | Lever Spring Guide A       | RD 7875  | Oil Cap                     | RD11692  | Bail Assembly           |
| RD 4749  | Screw                      | RD 7926  | Screw                       | RD11693  | Pinion Gear             |
| RD 5040  | Screw                      | RD 7927  | Washer                      | RD11694  | Ball Bearing            |
| RD 5042  | Anti-Reverse Cam Ring      | RD 7945  | Nut                         | RD11695  | Idle Gear               |
| RD 5677  | Spool Support A            | RD 9162  | Spool Washer                | RD11697  | Idle Gear               |
| RD 5680  | Spacer                     | RD 9163  | Line Safety Guard Spacer    | RD11698  | Drive Gear              |
| RD 5684  | Bail Spring Guide A        | RD 9165  | Bearing Retainer            | RD11700  | Handle Screw Cap        |
| RD 5690  | Screw                      | RD 9166  | Main Shaft                  | RD12262  | Drag Knob               |
| RD 5701  | Lever Spring Guide B       | RD 9167  | Bail Spring Guide A Support | RD12263  | Spool Assembly          |
| RD 5702  | Lever Spring               | RD 9168  | Bail Spring                 | RD12264  | Line Safety Guard       |
| RD 5704  | Trip Lever Spacer          | RD 9169  | Bail Spring Guide B         | RD12265  | Bail Arm                |
| RD 5705  | Roller Clutch Ring         | RD 9175  | Bail Trip Lever             | RD12266  | Rotor                   |
| RD 5706  | Roller Clutch Assembly     | RD 9179  | Anti-Reverse Cam            | RD12267  | Side Cover              |
| RD 5707  | Bearing Washer             | RD 9180  | Worm Bushing (front)        | RD12268  | Handle Assembly         |
| RD 5711  | Anti-Reverse Cam Spring    | RD 9182  | Worm Shaft                  | RD12269  | Rear Protector          |
| RD 5712  | O Ring                     | RD 9183  | Idle Gear B Shaft           | RD12270  | Anti-Reverse Lever      |
| RD 5722  | Screw                      | RD 9184  | Washer                      | RD12271  | Body                    |
| RD 5723  | Oscillating Pawl Cover     | RD 9189  | Screw                       |          |                         |
| RD 5724  | Oscillating Slider Bushing | RD 9190  | Oscillating Slider          |          |                         |